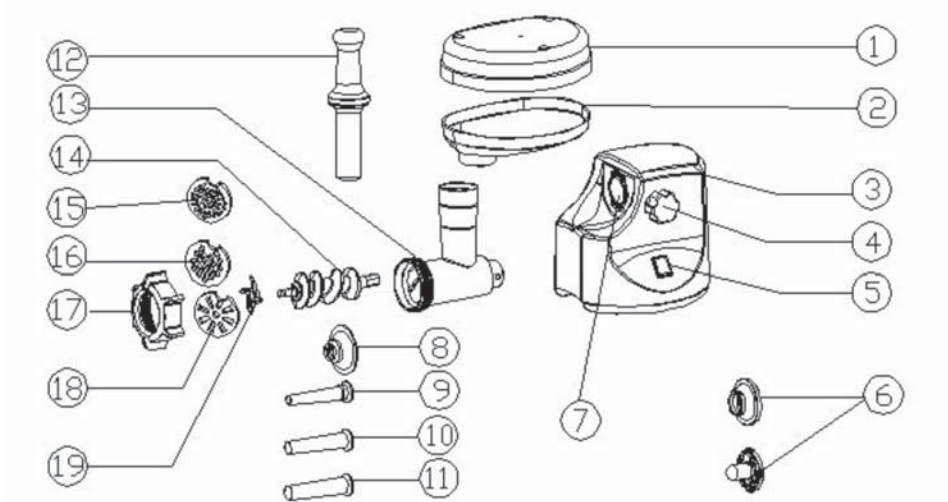


Dear Customer,

Thank you for purchasing this Hendi appliance. Please read this manual carefully before connecting the appliance in order to prevent damage due to incorrect use. Read the safety regulations in particular very carefully.

1. PRODUCT DESCRIPTION



- | | |
|---------------------------------|--------------------------------|
| 1. Food dish | 11. Sausage attachment (large) |
| 2. Hopper plate | 12. Food pusher |
| 3. Body | 13. Head |
| 4. Fasten button | 14. Snake |
| 5. Switch | 15. Cutting plate (fine) |
| 6. Kibbe attachment | 16. Cutting plate (medium) |
| 7. Head inlet | 17. Fixing ring |
| 8. Sausage attachment (block) | 18. Cutting plate (large) |
| 9. Sausage attachment (fine) | 19. Cutting blade |
| 10. Sausage attachment (medium) | |

EN

